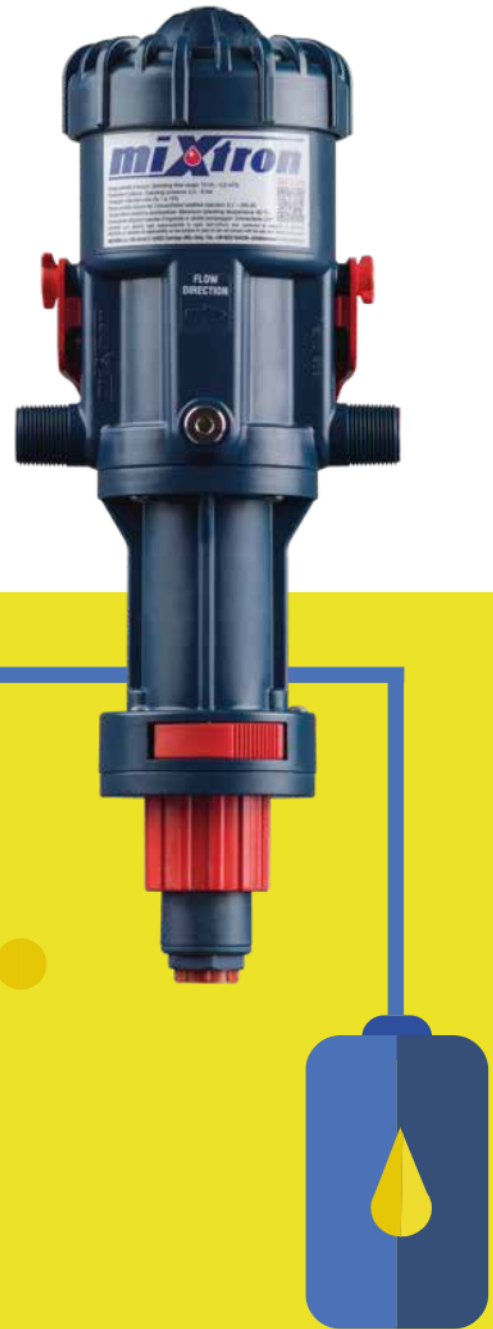


# **miXtron**

SMALL DROPS FOR A BETTER WORLD

WATER POWERED  
DOSING PUMP





**Mixtron** is a young family-owned business with its head quarter based in Reggio Emilia (Italy) born as a result of over 50 years of experience in the precision mechanics, power transmission and hydraulic components sectors.

**Mixtron** provides not just a technical and technological solution for each industry but a one-of-a-kind system design and customer care service thanks to a significant ability to interpret customers' needs and market trends.

Due to an extensive sales network and associates in various application fields, **Mixtron** has developed a wide range of products for the Metalworking, Fertilization, Irrigation, Car Washing, Food and Beverage, Chemical and Printing industries.



## WHAT IS IT?

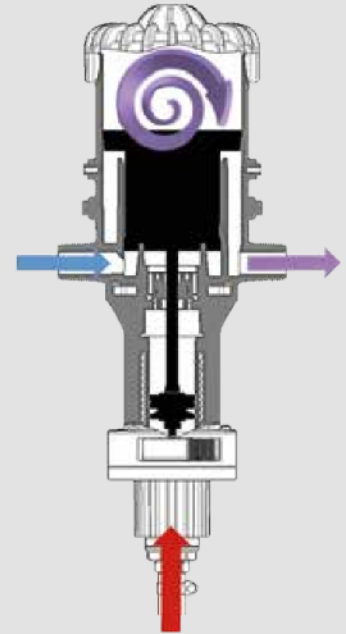
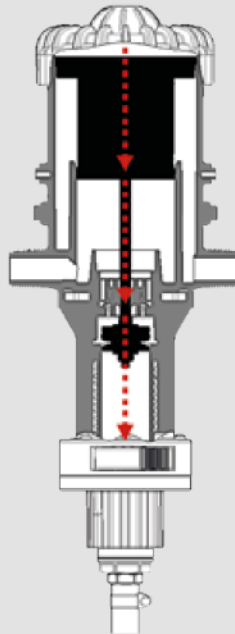
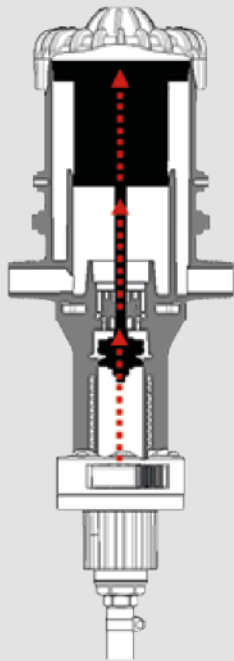
**Mixtron** pump is a dosing and mixing hydraulic system installed directly in the water supply line that allows users to create an homogenised solution always proportional to the volume of water regardless of changes in flow or pressure.

## HOW DOES IT WORK?

1 The water flow activates Mixtron pump

2 The additive at the desired percentage is mixed to water creating an homogenised solution

3 The solution is pushed downstream by the water pressure



## METALWORKING APPLICATIONS

The maximum quality in all mechanical machining, such as too duration and correct wear, starts with calibrated lubrication and cooling in all phases. The use of our doser connected to the water mains, to supply the water necessary to prepare the lubri-coolant solution and tank (or the lubricant oil supply line) is the only method able to guarantee perfect and constant a correctly dispensed mix in the required percentage to obtain maximum quality. Only other method used to prepare the lubri-coolant liquid is not able to guarantee the same performance levels.

Mixtron's proportional dosing pumps are able to dose additives such as:

- ◆ Emulsifiable oil
- ◆ Lubricants for metal clining systems

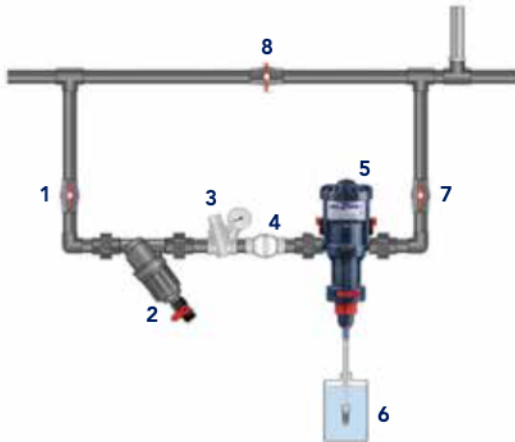


### FEATURES

- ◆ Quick and easy to install
- ◆ No engine, water powered
- ◆ Low maintenance
- ◆ Robust and durable (AISI 316 metal components and springs)
- ◆ Operating temperature thermometers
- ◆ Dosing ratio easily adjusted
- ◆ Cleaning inlets
- ◆ Max additive viscosity 400 cSts at 25° C [77 °F]



## SUGGESTED **INSTALLATION** FOR METALWORKING APPLICATIONS



- |   |                            |   |                    |
|---|----------------------------|---|--------------------|
| 1 | Cock – Supply Line         | 5 | Mixtron's Doser    |
| 2 | Water Filter (60-130 mesh) | 6 | Additive Tank      |
| 3 | Pressure Regulator         | 7 | Cock - Outlet Line |
| 4 | Check Valve                | 8 | By-Pass Valve      |

## PRODUCT RANGE

MODEL	FLOW RANGE
-------	------------

<b>MX.075</b>	0,005 - 0,75 m3/h 5 - 750 l/h
---------------	----------------------------------

MODEL	FLOW RANGE
-------	------------

<b>MX.150</b>	0,01 - 1,50 m3/h 10 - 1500 l/h
---------------	-----------------------------------

MODEL	FLOW RANGE
-------	------------

<b>MX.250</b>	0,01 - 2,50 m3/h 10 - 2500 l/h
---------------	-----------------------------------

MODEL	FLOW RANGE
-------	------------

<b>MX.300</b>	0,01 - 3,00 m3/h 10 - 3000 l/h
---------------	-----------------------------------



### DOSING RATIO

0,03 - 0,3 %	0,2 - 2%	0,5 - 4%	1 - 5%	1 - 10%
1:3000 - 1:350	1:500 - 1:50	1:200 - 1:25	1:100 - 1:20	1:100 - 1:10



**MIXTRON srl**

Via Curiel 7 - 42025 Cavriago - RE - Italy - Tel. +39 0522 944330

email: [info@mixtron.it](mailto:info@mixtron.it) - web: [www.mixtron.it](http://www.mixtron.it)