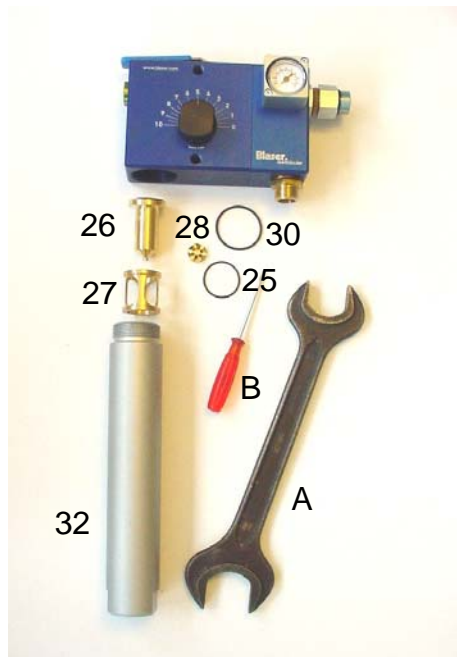
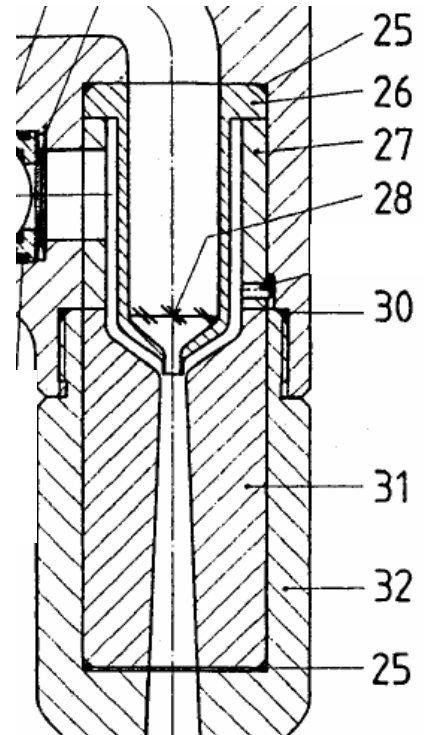


Jetmix : Cleaning of the Nozzle



Legend :
 25 O-Ring
 26 Nozzle
 27 Spacer sleeve
 28 Twist
 30 O-Ring
 32 Jetpipe
 A Fork wrench 46
 B Screw driver



The most frequent cause for Jetmix device failures are blocked or clogged nozzles. They can easily be cleaned, however, by trained people. To clean the nozzles, use a fork wrench (A) and a screw driver (B). The O-rings must also be replaced (30 + ev. 25). Remove the Jetmix from the drum, the wall and the water pipe to clean it.

Procedure :



1. Unscrew jetpipe (32) with fork wrench size 46mm.



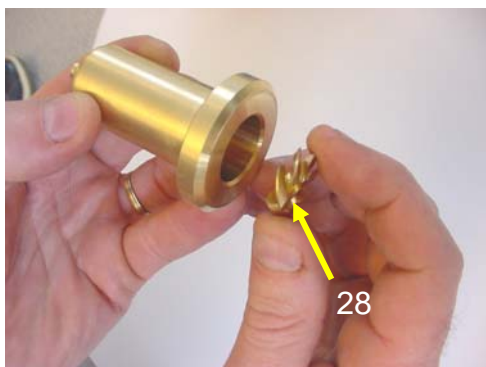
2. Remove nozzle (26) with spacer sleeve (27) and twist (28)



3. Clean nozzle (26), spacer sleeve (27) and twist (28)



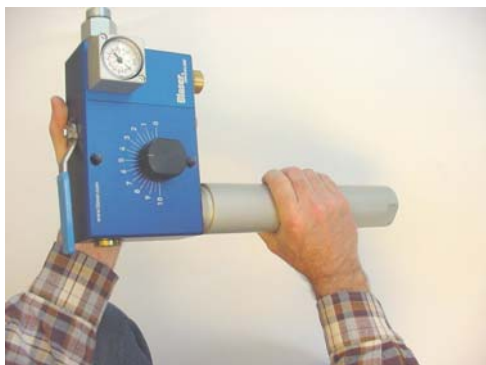
4. Replace O-Rings (30 + ev. 25)



5. Carefully insert the twist (28) into the nozzle (26). Make sure it is not jammed.



6. Install the completed nozzle (26+28), and the spacer sleeve (27) into Jetmix.



7. Fasten jetpipe (32)